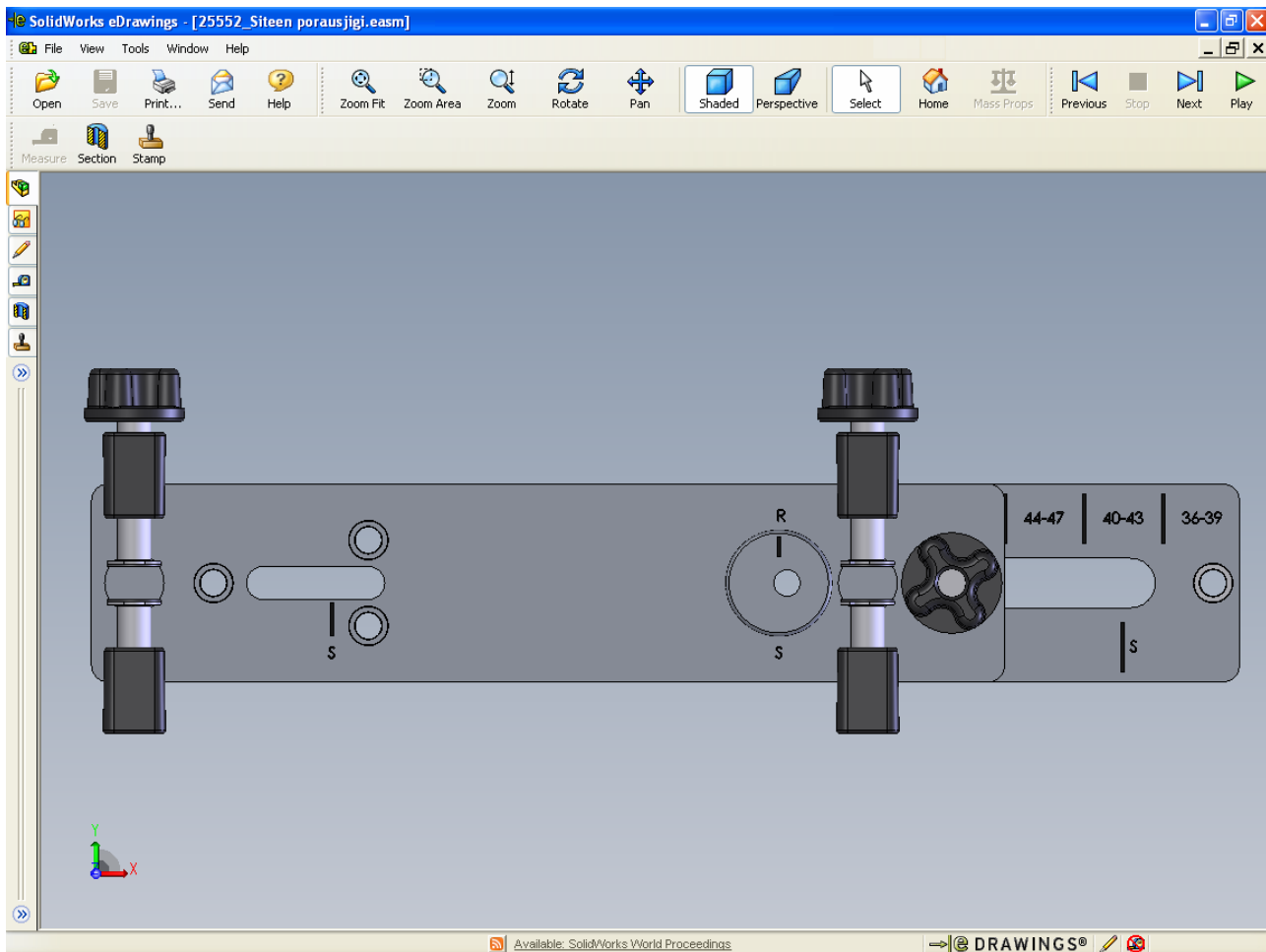


ski wax **vauhti**®



Instructions

NNN

1. Open the locking knob and fit the adjustable sliding mechanism to the corresponding shoe size of the rollerskier. Adjust the sliding mechanism so that the shoe size aligns with the back of the Top Plate.
2. Adjust the mid-drilling hole and lock into Position R

SNS

1. Open the locking knob and fit the adjustable sliding mechanism so that the S is lined up with the back of the Top Plate.
2. Adjust the mid-drilling hole and lock into Position S (**Note:** Not all Salomon bindings need the mid-hole).

Push up on knob from underneath to adjust between NNN and SNS. The mid-drilling hole adjustable knob needs to be locked in place before drilling:

S= SNS
R= NNN

Use sharp, special drill bit: 3.6 – 4mm x 9mm point and 8mm body width.
Mount the bindings according to Rollerski manufacturer's instructions.

CANADIAN WINTERSPORTS CORP.
31 LAKEVIEW AVENUE, GORMLEY, ON L0H 1G0, CANADA
PH. +1-905-888-9102, FAX +1-905-888-9224
info@canadianwintersports.com, www.canadianwintersports.com